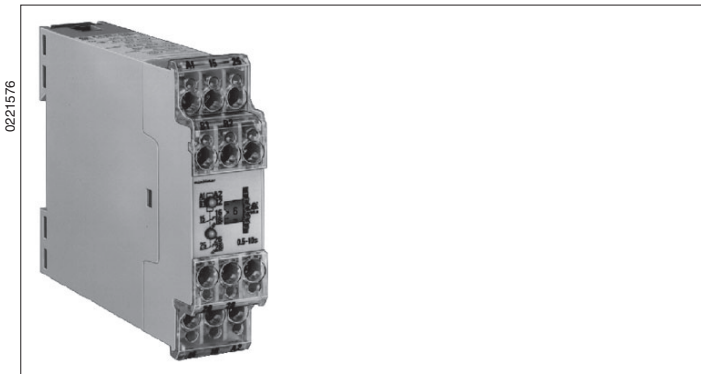
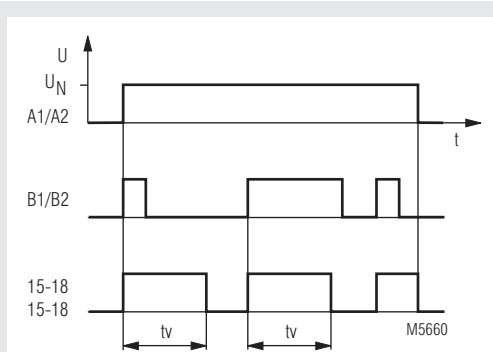


MINITIMER Pulse Extender MK 7856/024

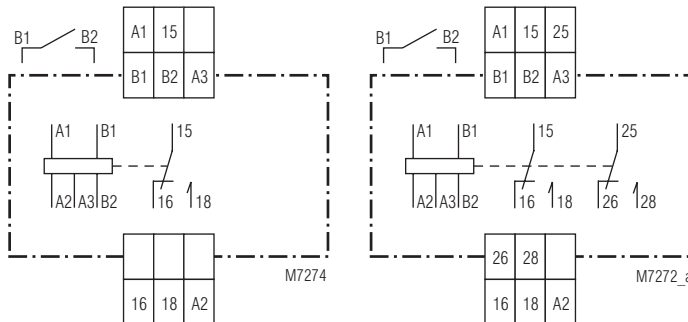


- According to IEC/EN 61 812-1
- Converts pulses to selectable length
- No repeat control during the time period (of the pulse)
- Pulse lengthening / shortening
- Time range up to 60 min
- Repeat accuracy $\leq \pm 1 \%$
- Setting on absolute scale
- 2-voltage version
- LED displays for availability and contact position
- Available with 1 or 2 changeover contacts
- Width 22.5 mm

Function Diagram



Circuit Diagram



MK 7856.71/024

MK 7856.72/024

Approvals and Marking



Application

Time-dependent controllers

Technical Data

Time circuit

Time ranges:

0.05 ... 1 s	0.5 ... 10 min.
0.15 ... 3 s	1.5 ... 30 min.
0.5 ... 10 s	3 ... 60 min.
1.5 ... 30 s	
3 ... 60 s	
5 ... 100 s	
15 ... 300 s	

Time setting:

Min. switch-on time:

≥ 20 ms

Repeat accuracy:

$\leq \pm 1 \%$ of full-scale value

Voltage influence:

$\leq 1 \%$

Temperature influence:

$< 0.1 \%$ / K

Input

Nominal voltage U_N :

AC/DC 24¹⁾ + AC/DC 42 V²⁾

AC/DC 24¹⁾ + AC/DC 48 V²⁾

AC/DC 24¹⁾ + AC 110 V²⁾

AC/DC 24¹⁾ + AC 127 V²⁾

AC/DC 24¹⁾ + AC 230 V²⁾

AC/DC 24¹⁾ + AC 240 V²⁾

¹⁾ at terminals A3 - A2

²⁾ at terminals A1 - A2

Voltage range:

0.8 ... 1.1 U_N

Nominal consumption:

AC 230 V 7 VA

DC 24 V 0.8 W

Nominal frequency:

50 / 60 Hz

Frequency range:

$\pm 5 \%$ f_N

Technical Data

Output

Contacts

MK 7856.71: 1 changeover contact
MK 7856.72: 2 changeover contacts

Thermal current I_{th} : 5 A

Switching capacity

to AC 15:

NO contact: 3 A / AC 230 V IEC/EN 60 947-5-1
NC contact: 2 A / AC 230 V IEC/EN 60 947-5-1

Electrical life IEC/EN 60 947-5-1

to AC 15 at 3 A, AC 230 V: 5 x 10⁵ switching cycles

Permissible switching

frequency: 6 000 switching cycles / h

Short circuit strength

max. fuse rating: 6 A gL IEC/EN 60 947-5-1

Mechanical life: 30 x 10⁶ switching cycles

General Data

Operating mode: Continuous operation

Temperature range: - 20 ... + 60 °C

Clearance and creepage distances

rated impuls voltage /
pollution degree: 4 kV / 2 IEC 60 664-1

EMC

Electrostatic discharge: 8 kV (air) IEC/EN 61 000-4-2

HF irradiation: 10 V/m IEC/EN 61 000-4-3

Fast transients: 2 kV IEC/EN 61 000-4-4

Surge voltages

between

wires for power supply: 2 kV IEC/EN 61 000-4-5

between wire and ground: 4 kV IEC/EN 61 000-4-5

HF-wire guided: 10 V IEC/EN 61 000-4-6

Interference suppression: Limit value class B EN 55 011

Degree of protection

Housing: IP 40 IEC/EN 60 529

Terminals: IP 20 IEC/EN 60 529

Housing: Thermoplastic with V0 behaviour
according to UL subject 94

Vibration resistance: Amplitude 0.35 mm,
frequency 10 ... 55 Hz, IEC/EN 60 068-2-6

Climate resistance: 20 / 060 / 04 IEC/EN 60 068-1

Terminal designation: EN 50 005

Wire connection: 2 x 1.5 mm² solid or
2 x 1.0 mm² stranded wire with sleeve
DIN 46 228-1/-2/-3/-4

Wire fixing: Flat terminals with self-lifting
clamping piece IEC/EN 60 999-1

Mounting: DIN rail IEC/EN 60 715

Weight: 140 g

Dimensions

Width x height x depth: 22.5 x 82 x 99 mm

Standard Type

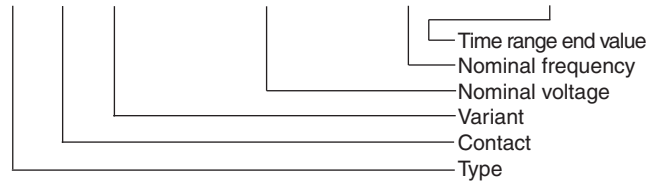
MK 7856.71/024 AC/DC24V + AC220...240V 50/60Hz 3s

Article number: 0030950 stock item

- Output: 1 changeover contact
- Nominal voltage U_N : AC/DC 24 V + AC 220 ... 240 V
- Time range: 0.15 ... 3 s
- Width: 22.5 mm

Ordering example

MK 7856 .71 /024 AC/DC 24 V + AC 230 V 50 / 60 Hz 60 min.



Accessories

ET 4752-143: Marking plate